



IKUSI
velatia

smartexperience

Accessories for HTI Headend

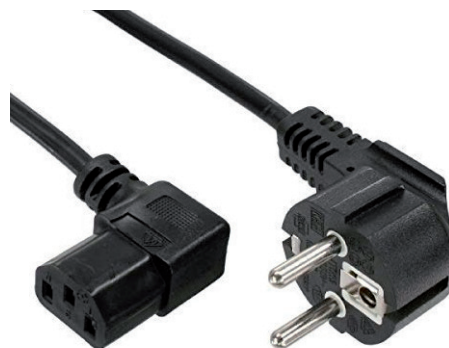
- SR-HTI. Support to install the headend in a rack 19".
- USB-300. USB-Ethernet adapter for local or remote control.
- COR-150. Schuko network cable.



SR-HTI

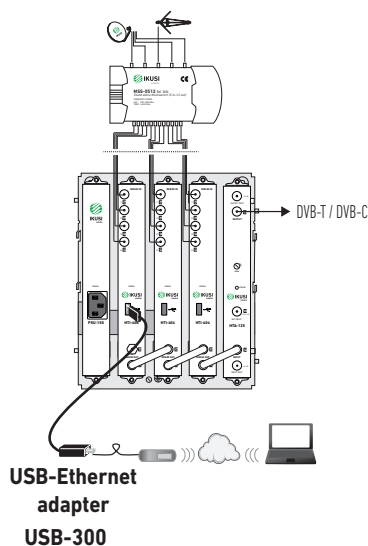


USB-300



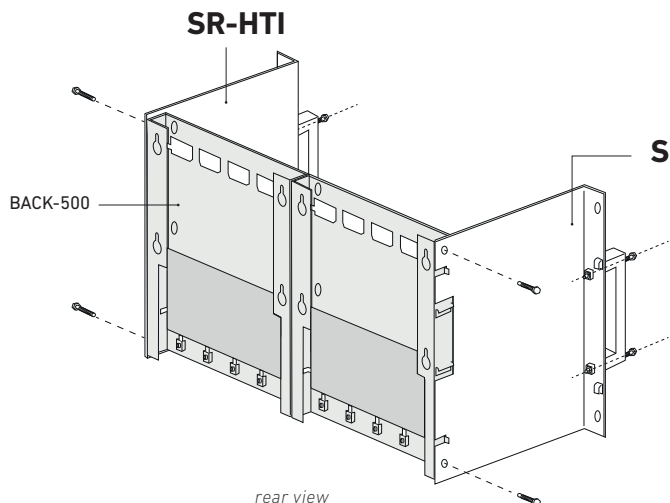
COR-150

■ **USB-300** (4284). USB-Ethernet adapter for local or remote control.

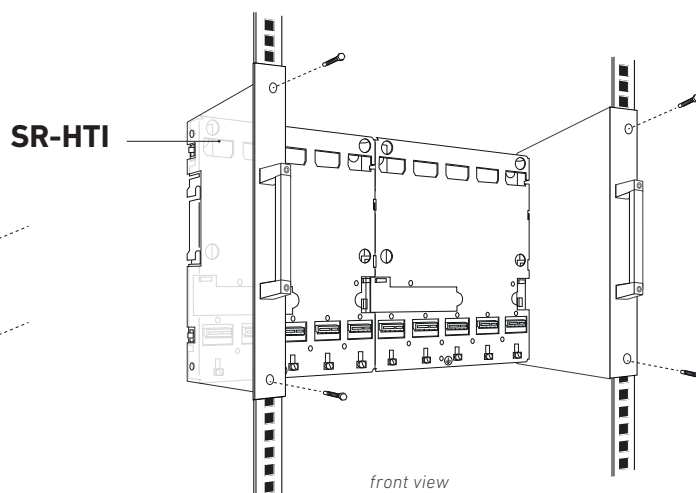


Connectivity		
Device Interfaces	RJ-45 Ethernet Port (10/100/1000 Mbps)	USB Type A Connector
LEDs	Speed (orange)	Link/ACT (green)
Standards	USB Specification Version 3.0 USB Specification Version 2.0 USB Specification Version 1.1 USB Specification Version 1.0 OHCI (Open Host Controller Interface)	EHCI (Enhanced Host Controller Interface) IEEE 802.3 Ethernet IEEE 802.3u 100BASE-T, TX, and T4 compatible Supports suspended mode and remote wakeup Supports full and half duplex in gigabit Ethernet mode
General		
Minimum System Requirements	Operating system: Microsoft Windows 8/7/Vista/XP SP3	Mac OS 10.6 to 10.8 Linux kernel 2.6.14x or above
Power Management	Advanced Power Management reduces power usage during idle or light traffic periods	
Physical		
Power	Input: Bus-powered 500 mA, 5 V DC	Consumption: 150 mA, 3.3 V DC
Temperature	Operating: 0 to 45 °C (32 to 113 °F)	Storage: -20 to 70 °C (-4 to 158 °F)
Humidity	Operating: 10% to 90% non-condensing	Storage: 5% to 90% non-condensing
Dimensions	74.4 x 21 x 16 mm (2.93 x 0.83 x .063 inches)	
Weight	46.4 grams (1.64 oz)	
Certifications	CE	FCC

■ **SR-HTI** (3867). Rack support 6U height



Rack 19" fixing for two base-plates (BACK-500) headend installation



Complete assembly of the rack

■ **COR-150** (4404). Schuko network cable

